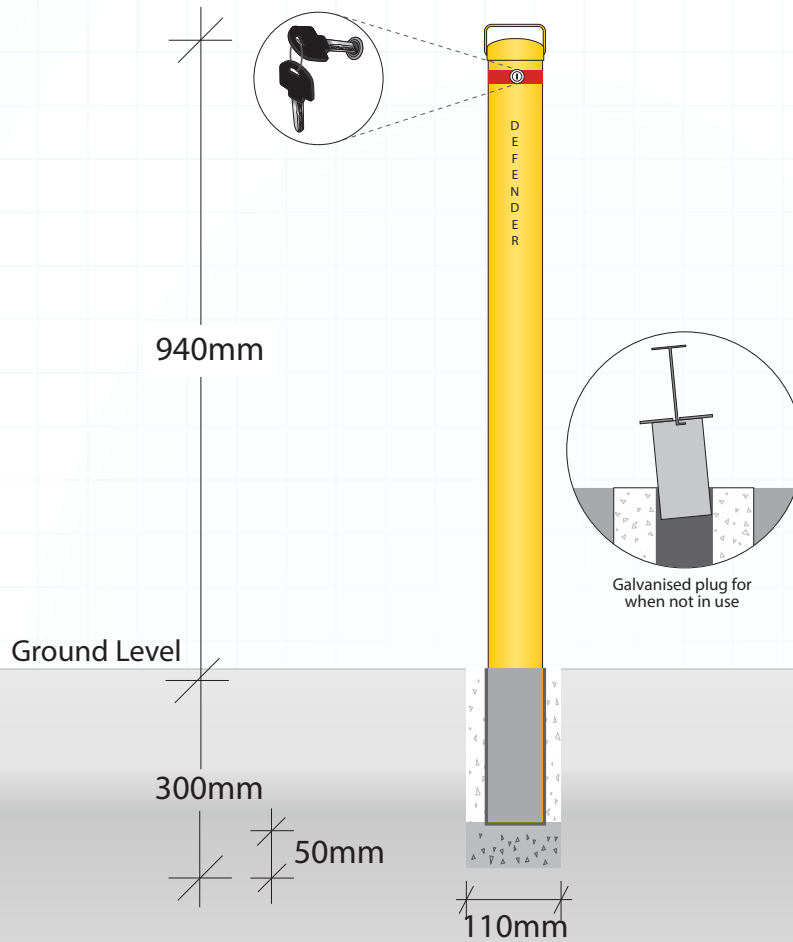


# DEFENDER BOLLARD

DB90/SM & DB90/SH



## 90mmØ Removable Bollards

| Code    | Keyed Lock | Product Height | Depth IG | Wall Th. | Installed Height |
|---------|------------|----------------|----------|----------|------------------|
| DB90/SM | Standard   | 1240mm         | 300mm    | 4mm      | 940mm            |
| DB90/SH | BiLock     | 1240mm         | 300mm    | 4mm      | 940mm            |

## Removable Bollard Optional Extras

| Code     | Description                         |
|----------|-------------------------------------|
| DB90/BH2 | 2 unit bollard hanger               |
| DB90/BH3 | 3 unit bollard hanger               |
| DB90/SSL | Storage holder for inground sleeves |

- Lifting handle ensures easy handling
- Effective locking mechanism with 2 keys supplied
- Highly visible, safety yellow powdercoat finish with reflective tape, as standard
- Supplied with sleeve plug/lifting handle, to cover hole when bollard is not in use
- Post holders/hangers for storing bollards when not in use (optional)
- Chain attachment lugs (left or right) to add a chain barrier (optional)
- Recommended core cutting size 110mm minimum

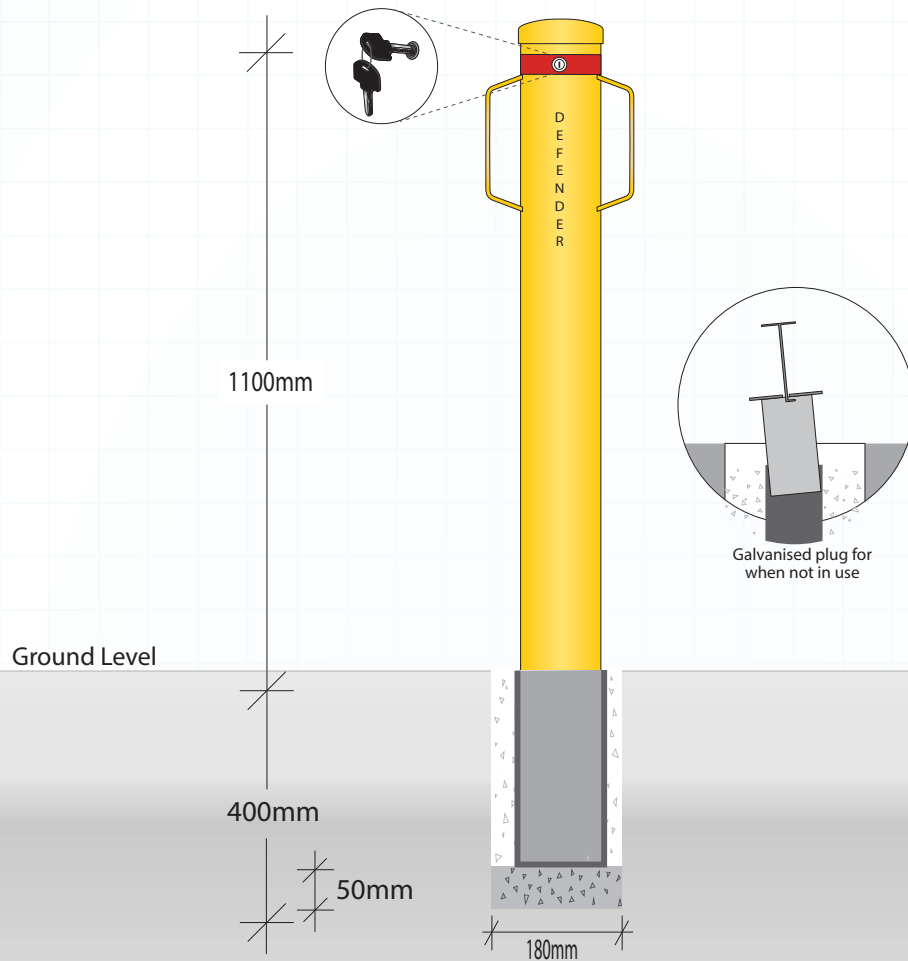
1300 76 44 77

www.pws.com.au email: sales@pws.com.au

• Installation service available in Sydney, Melbourne, Brisbane and Perth

# DEFENDER BOLLARD

DB140/SM & DB140/SH



## 140mmØ Removable Bollards

| Code     | Keyed Lock | Product Height | Depth IG | Wall Th. | Installed Height |
|----------|------------|----------------|----------|----------|------------------|
| DB140/SM | Standard   | 1500mm         | 400mm    | 5mm      | 1100mm           |
| DB140/SH | BiLock     | 1500mm         | 400mm    | 5mm      | 1100mm           |

## Removable Bollard Optional Extras

| Code      | Description              |
|-----------|--------------------------|
| DB140/SSB | Bolt down storage sleeve |
| DB140/SSL | 140mm extra sleeve       |

- Ideal for high vehicle traffic areas to avoid possible damage to property
- High security cam-lock key operating systems
- Highly visible safety yellow finish as standard
- Hot dip galvanised steel plug for maximum rust protection
- Lifting handles for easy removal of ground hole plugs
- Storage sleeve holders available for bollards when not in use
- Storage sleeve hangers for up to 5 bollards
- Recommended core cutting size 180mm minimum

1300 76 44 77

www.pws.com.au email: sales@pws.com.au

• Installation service available in Sydney, Melbourne, Brisbane and Perth